

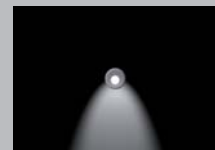


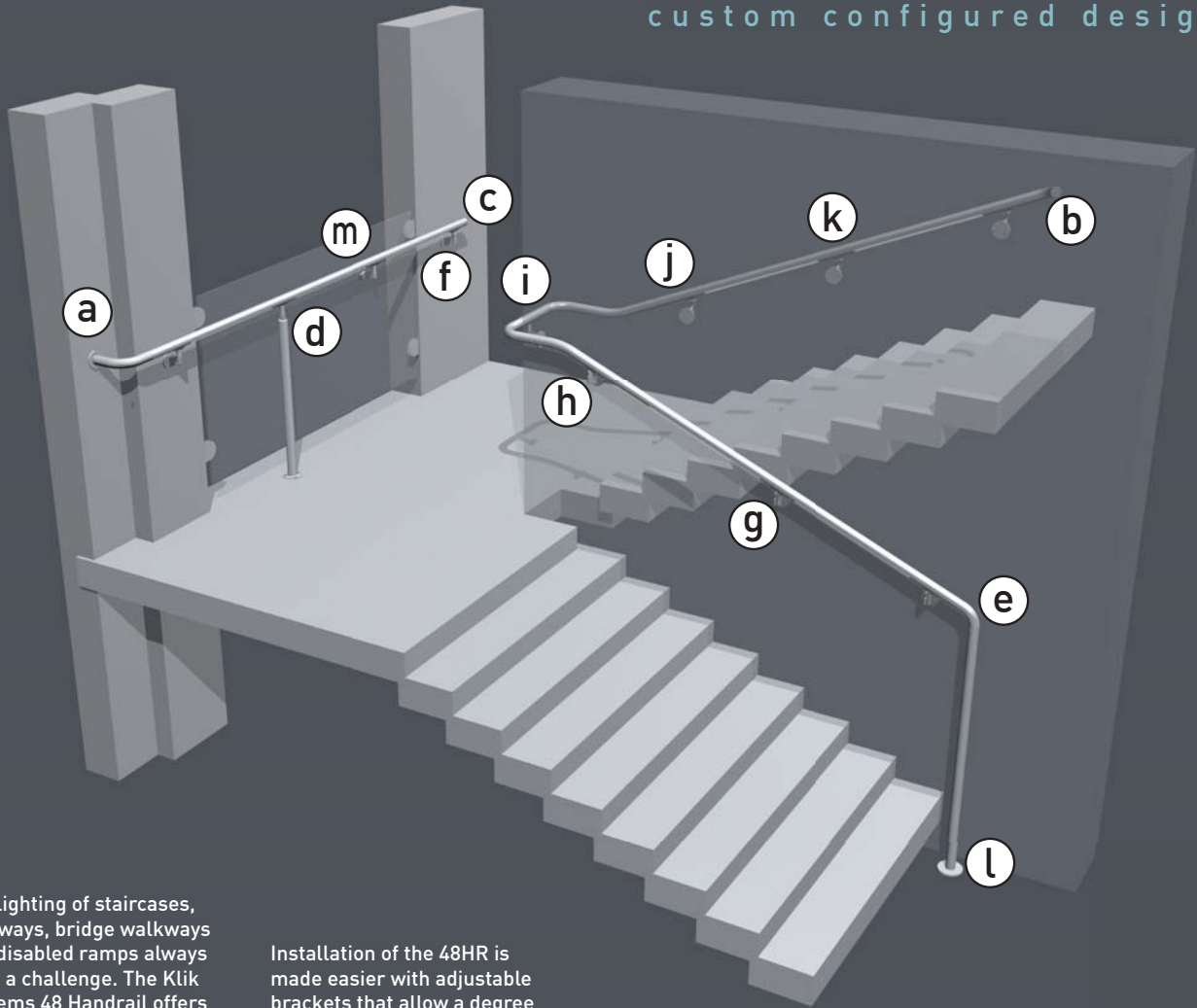
Busways Transit Station

4 8
h a n d r a i l



4 8 h a n d r a i l





The lighting of staircases, pathways, bridge walkways and disabled ramps always pose a challenge. The Klik Systems 48 Handrail offers a solution to these lighting challenges.

The 48HR has been designed to incorporate T5 technology using 14W and 21W lamps. With an IP65 rating it is ideally suited for both exterior and interior use.

The extruded aluminium housing allows the handrail to be manufactured in lengths of up to 5.8m with these lengths joined together to form a continuous length of rail.

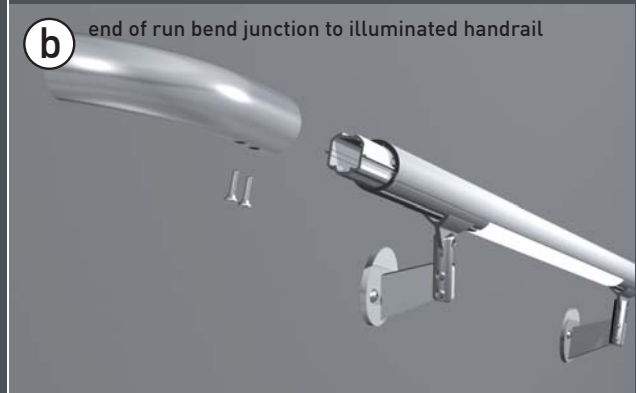
The diffusers are manufactured from 100% high impact polycarbonate and are fixed into position with anti-vandal stainless steel fixings.

Installation of the 48HR is made easier with adjustable brackets that allow a degree of tolerance depending on the site conditions.

Custom brackets, bends and ends all form part of a complete lighting solution for complex and difficult to light areas.

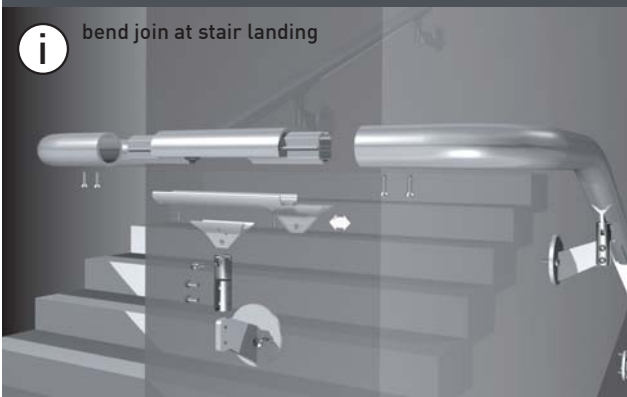
The handrail can also be used as a surface mounted fixture for areas that are prone to excessive moisture and water.

Due to the complexity of individual site conditions we prefer our in-house design team to work closely with the designer offering technical assistance and advice. We welcome your project enquiries.





d intermediate post top mount



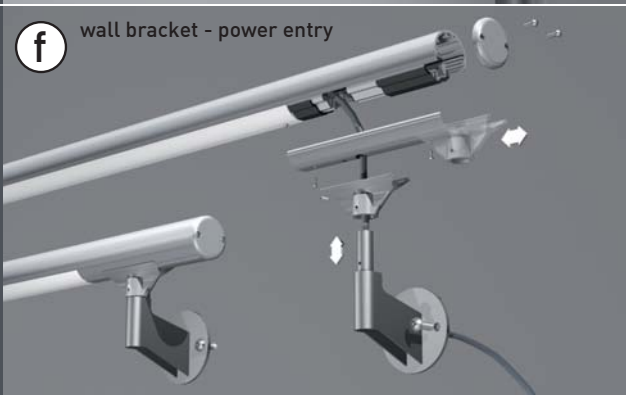
i bend join at stair landing



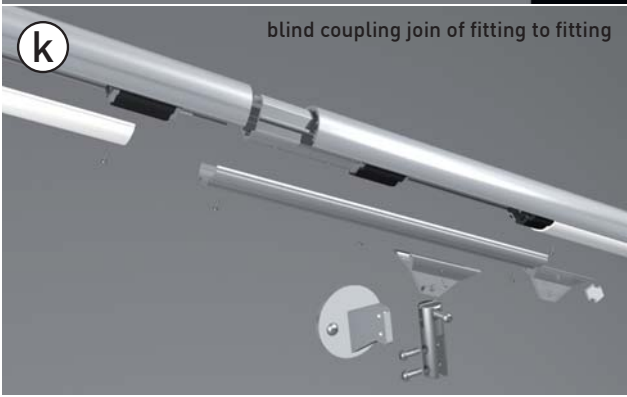
e end of run - integrated post bend.



j bend join to light fitting at wall bracket mount



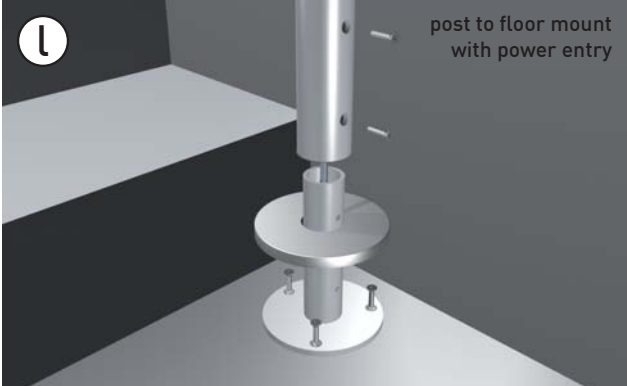
f wall bracket - power entry



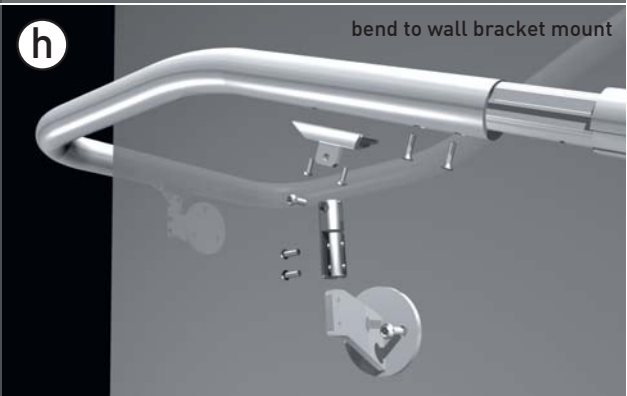
k blind coupling join of fitting to fitting



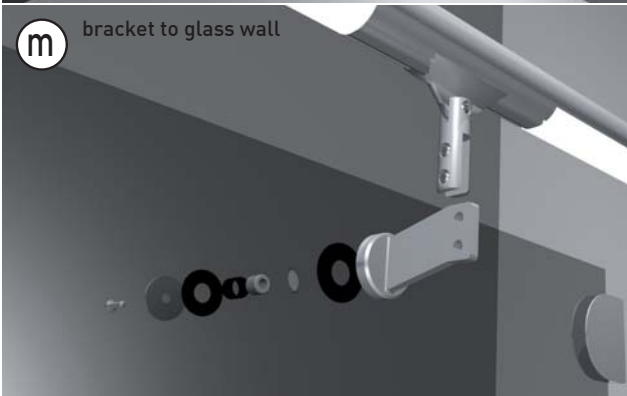
g intermediate wall bracket mount



l post to floor mount with power entry



h bend to wall bracket mount



m bracket to glass wall