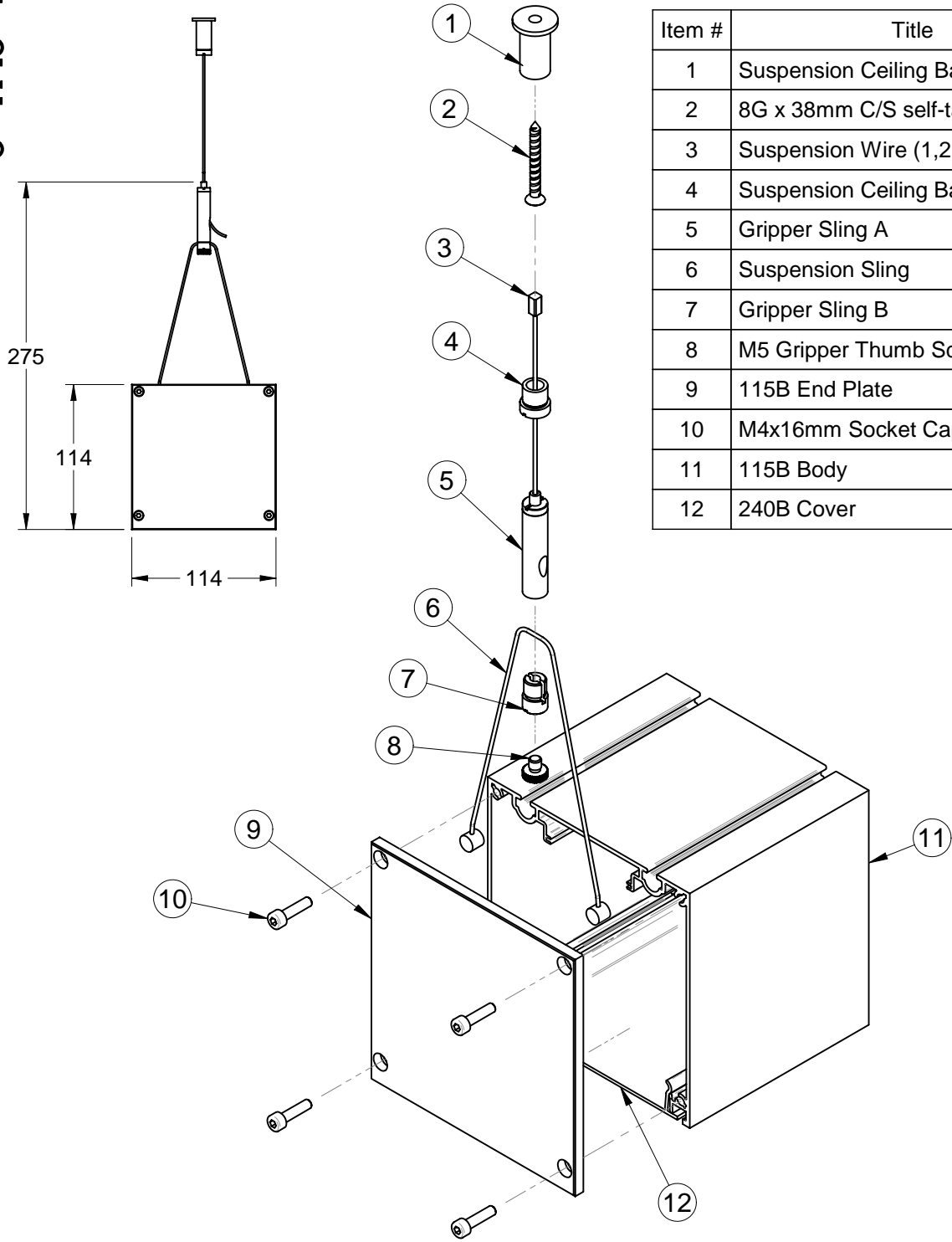


110 Beam Suspension Wire Instruction



Item #	Title
1	Suspension Ceiling Barrel
2	8G x 38mm C/S self-tapping screw
3	Suspension Wire (1,2,3,4 & 5mtr)
4	Suspension Ceiling Barrel Cap
5	Gripper Sling A
6	Suspension Sling
7	Gripper Sling B
8	M5 Gripper Thumb Screw
9	115B End Plate
10	M4x16mm Socket Cap Screw
11	115B Body
12	240B Cover

Important

Choosing an appropriate fixing to suit the mounting surface is the responsibility of the installer.

Note: Remove all labeling masking tape and clean unit as you go.

