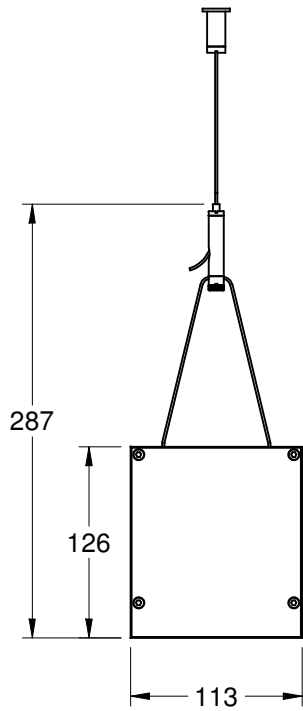
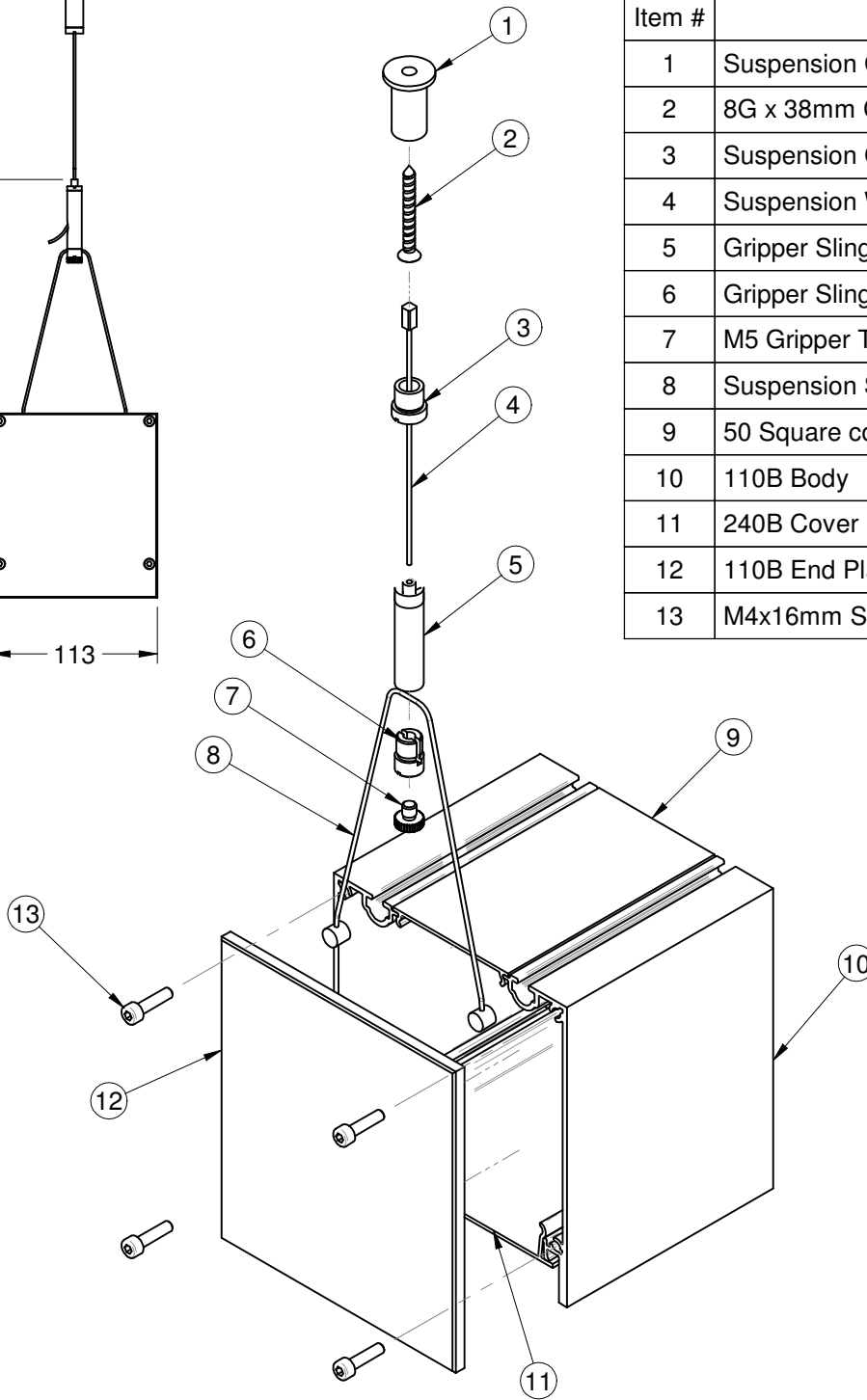


110DI Beam Suspension Sling Instruction



Item #	Title
1	Suspension Ceiling Barrel
2	8G x 38mm C/S self-tapping screw
3	Suspension Ceiling Barrel Cap
4	Suspension Wire (1,2,3,4 & 5mtr)
5	Gripper Sling A
6	Gripper Sling B
7	M5 Gripper Thumb Screw
8	Suspension Sling
9	50 Square cover
10	110B Body
11	240B Cover
12	110B End Plate
13	M4x16mm Socket Cap Screw



Important

Choosing an appropriate fixing to suit the mounting surface is the responsibility of the installer.

Note: Remove all labeling masking tape and clean unit as you go.

