

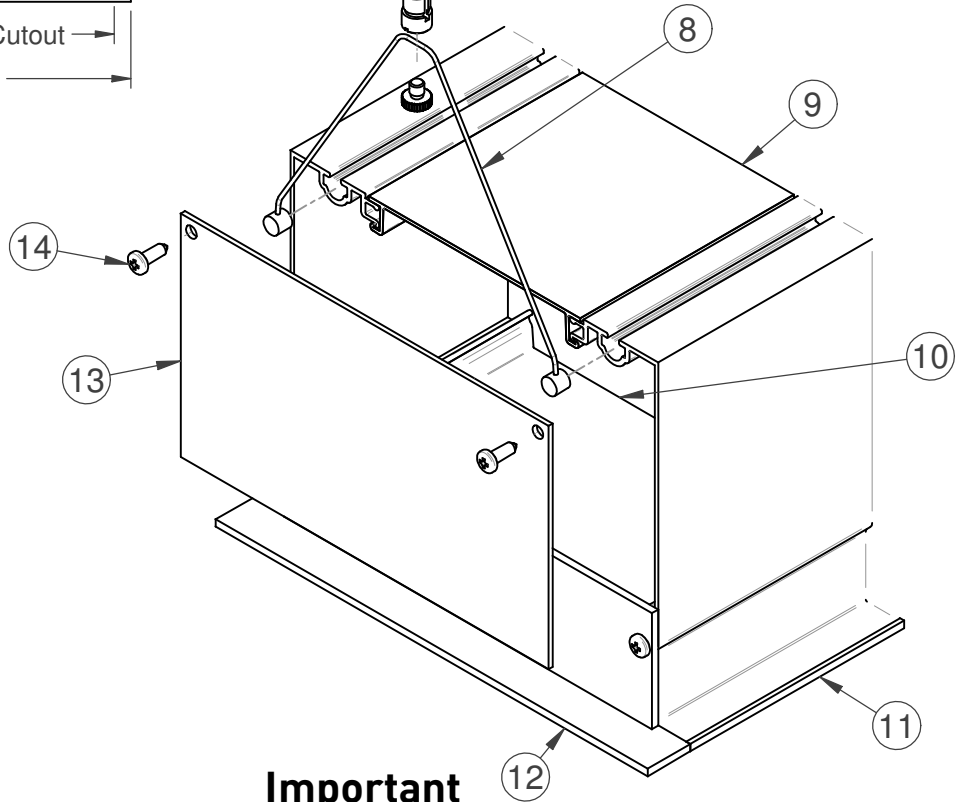
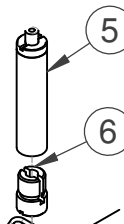
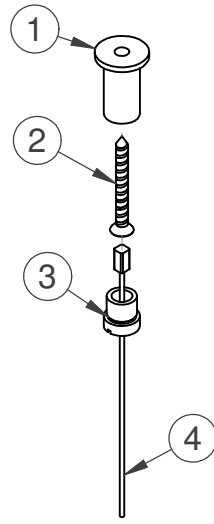
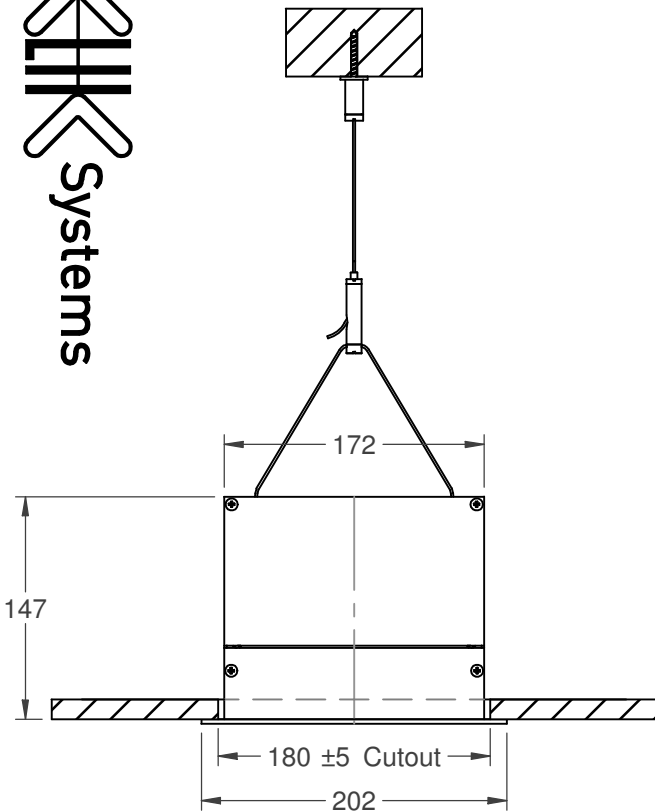
170B 2xT8Down Semi Recessed  
1:2

REV	DATE	BY	DESCRIPTION
Copyright strictly reserved. The design and technical information as detailed on this drawing or document is the express property of <b>Klik Systems Australia Pty. Limited</b> and must not be reproduced, copied or communicated without obtaining the permission of <b>Klik Systems Australia Pty. Limited</b> .			

DWG No:		SYSTEM
PART NAME:		
Material	JOB REF:	
Finish	STOCK ITEM No:	
	FILE NAME: 170 Beam Assembly-master.dft	

Unit 11/16 Cross St. Brookvale NSW P.O. Box W388 Warringah Mall 2100 Ph: 02 9938 5333 Fx:02 9905 3854		<b>KLIK</b> systemsaustralia pty limited	
www.kliksystems.com.au - info@kliksystems.com.au			
Projection		DO NOT SCALE DRAWING	
Drawn By:	Date	Page	Scale
paulr	20/05/05	2 OF 2	
			Size A4

# 170 Recessed Beam Suspension Sling Instruction

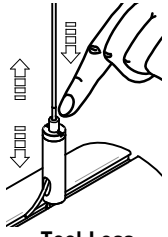
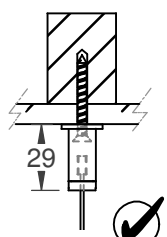
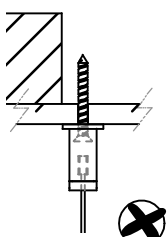
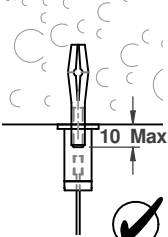
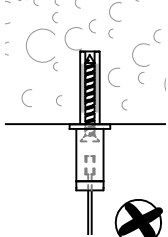
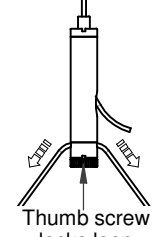
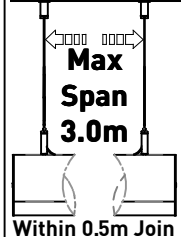


Item #	Title
1	Suspension Ceiling Barrel
2	8G x 38mm C/S self-tapping screw
3	Suspension Ceiling Barrel Cap
4	Suspension Wire (1,2,3,4 & 5mtr)
5	Gripper Sling A
6	Gripper Sling B
8	Suspension Sling # 52474
9	170RB Gear Cover
10	300 Beam Cover
11	170RB Body
12	170RB Flanged End Plate
13	170RB Flat End Plate
14	8G x 12.7mm

## Important

Choosing an appropriate fixing to suit the mounting surface is the responsibility of the installer.

Note: Remove all labeling masking tape and clean unit as you go.

 <p>Tool Less Adjustment</p>	 <p>Timber</p>	 <p>Gyprock</p>	 <p>M6 Stud</p>	 <p>Non Metal plug</p>	 <p>Thumb screw locks loop Gripper Loop</p>	<p>Recessed luminaires should never be supported by gyprock alone.</p>	 <p>Max Span 3.0m Within 0.5m Join or bend</p>
--	---	--	--	---	---	--	---