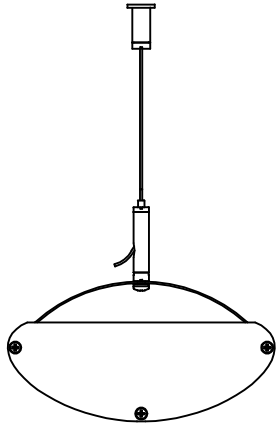
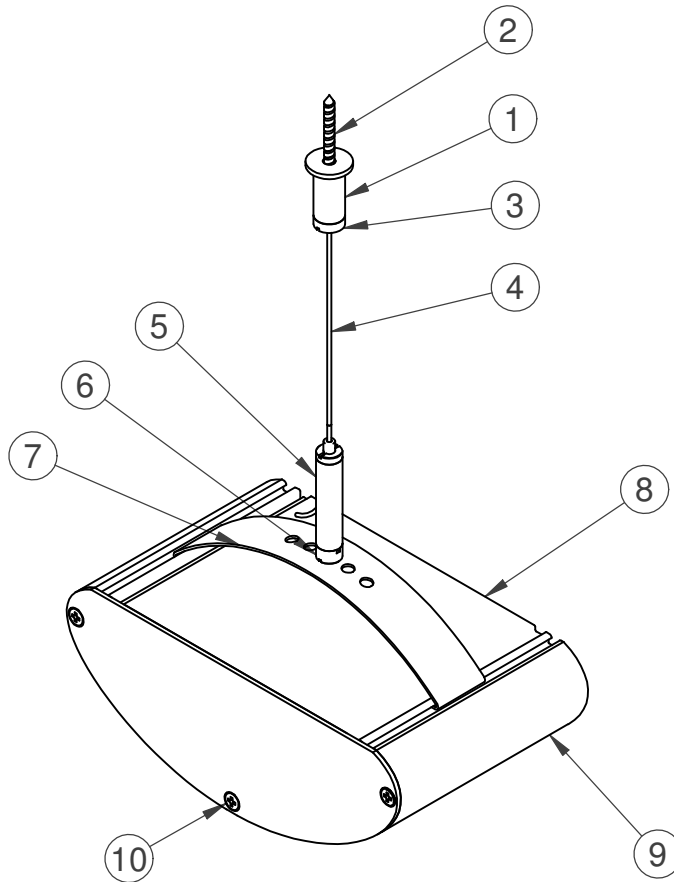


180 UpLighter Suspension Arch Instruction



Item #	Title
1	Suspension Ceiling Barrel
2	8G x 38mm C/S self-tapping screw
3	Suspension Ceiling Barrel Cap
4	Suspension Wire (1,2,3,4 & 5mtr)
5	Gripper Sling A
6	Gripper Sling B
7	180UP Suspension Arch
8	Oval Cover
9	180 Uplighter
10	180 Up Lighter End Plate



Important

Choosing an appropriate fixing to suit the mounting surface is the responsibility of the installer.
 Note: Remove all labeling masking tape and clean unit as you go.

