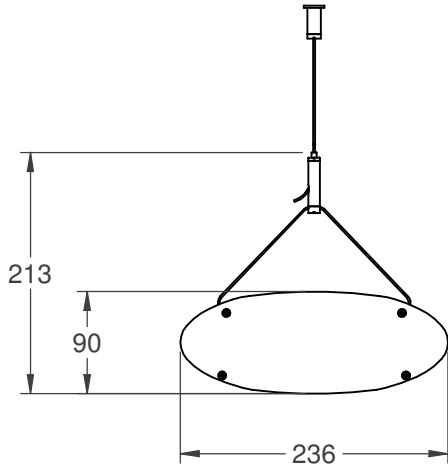
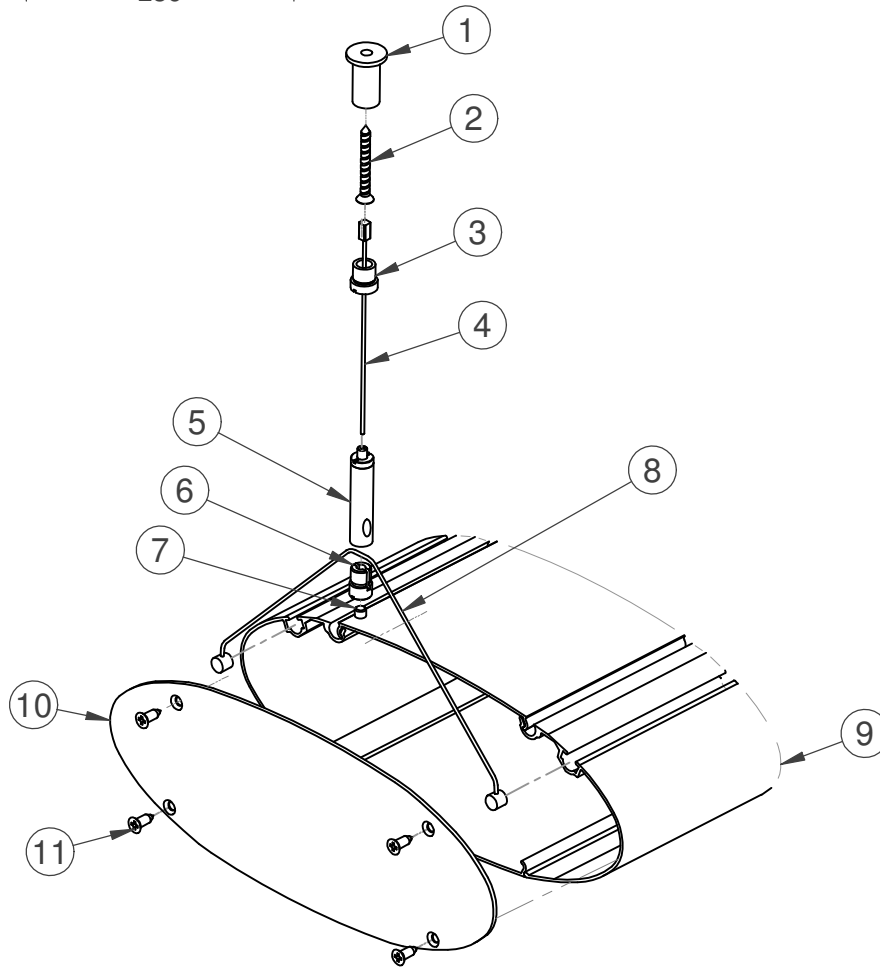


235 Elliptical Suspension Sling Instruction



Item #	Title
1	Suspension Ceiling Barrel
2	8G x 38mm C/S self-tapping screw
3	Suspension Ceiling Barrel Cap
4	Suspension Wire (1,2,3,4 & 5mtr)
5	Gripper Sling A
6	Gripper Sling B
7	M5x4mm Set Screw
8	Suspension Sling #52474
9	235E Body
10	235E End Plate
11	8G x 16mm CS (6G Head)



Important

Choosing an appropriate fixing to suit the mounting surface is the responsibility of the installer.

Note: Remove all labeling masking tape and clean unit as you go.

