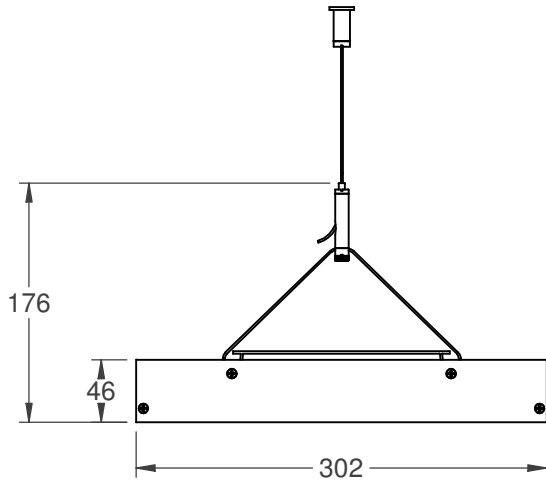
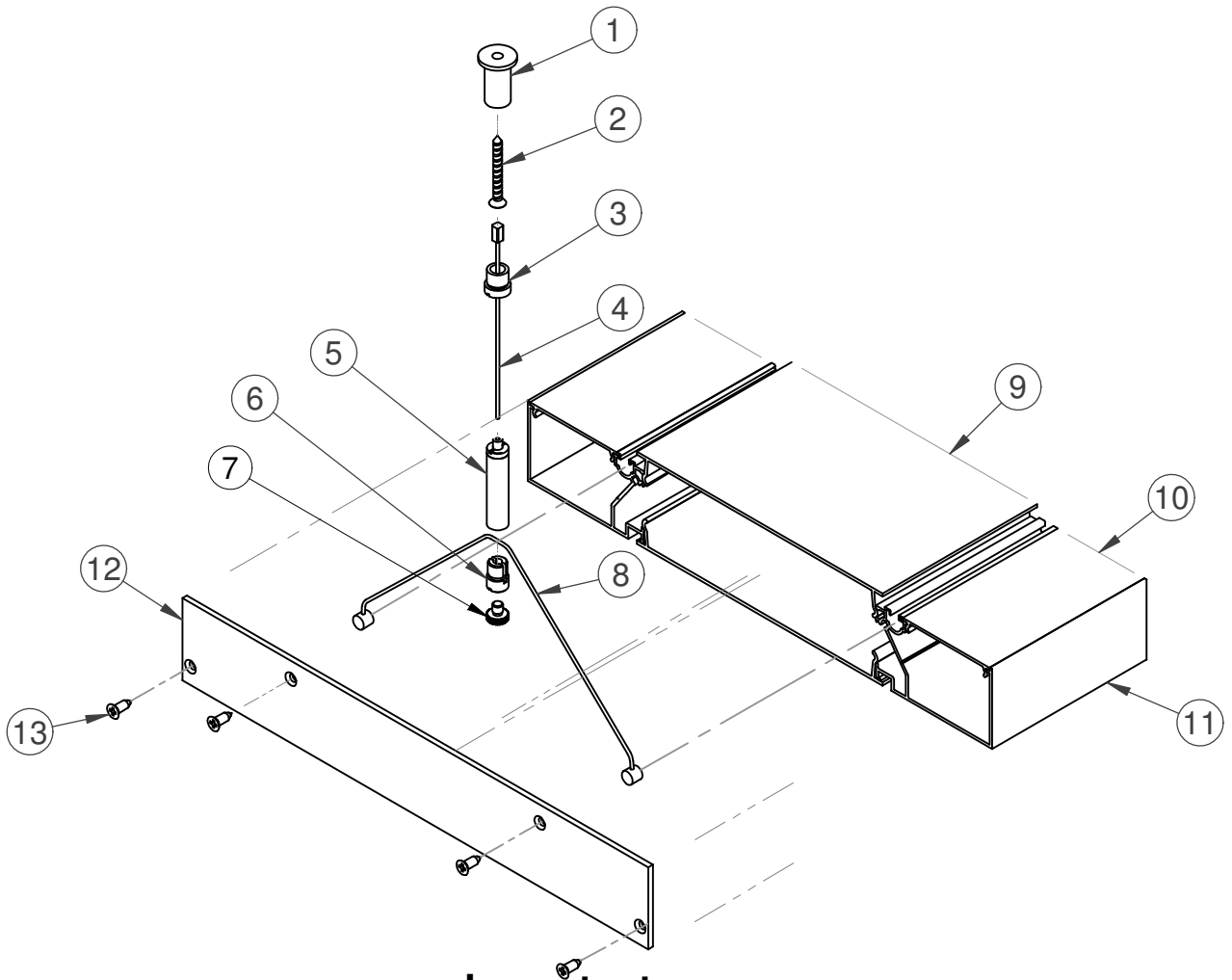


300 Beam Suspension Sling Instruction



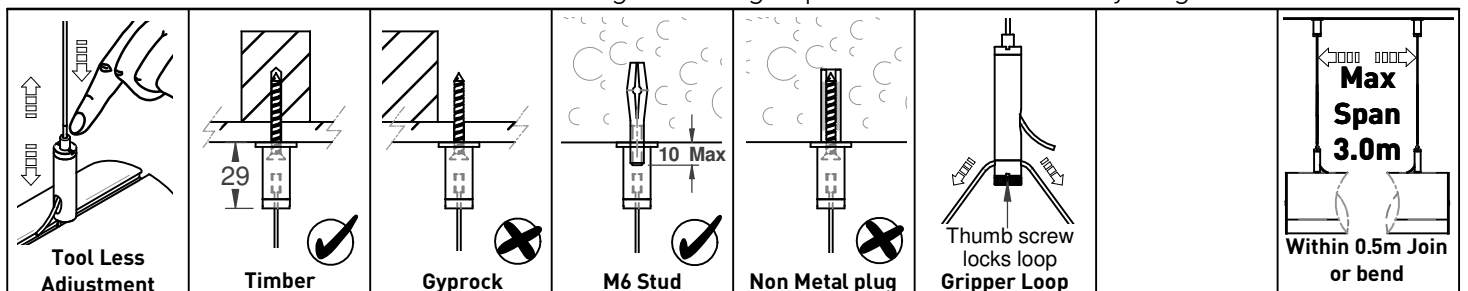
Item #	Title
1	Suspension Ceiling Barrel
2	8G x 38mm C/S self-tapping screw
3	Suspension Ceiling Barrel Cap
4	Suspension Wire (1,2,3,4 & 5mtr)
5	Gripper Sling A
6	Gripper Sling B
7	M5 Gripper Thumb Screw
8	Suspension Sling #52474
9	300 Beam Cover
10	50 Square cover
11	300 Beam body
12	300 Beam End Plate
13	8G x 16mm CS (6G Head)



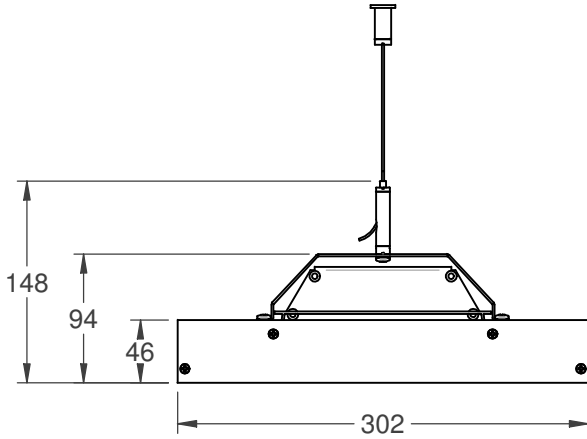
Important

Choosing an appropriate fixing to suit the mounting surface is the responsibility of the installer.

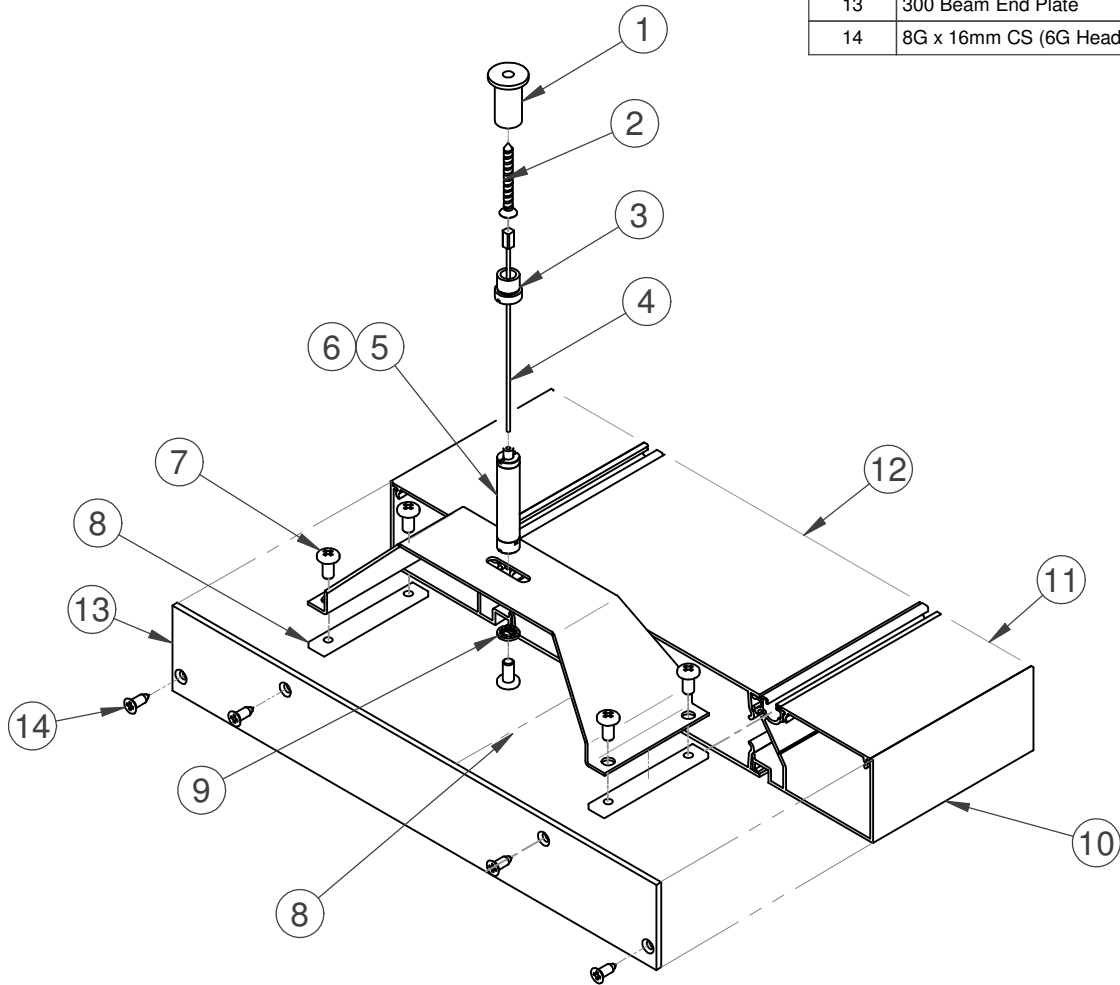
Note: Remove all labeling masking tape and clean unit as you go.



300 Beam Suspension Arch Instruction

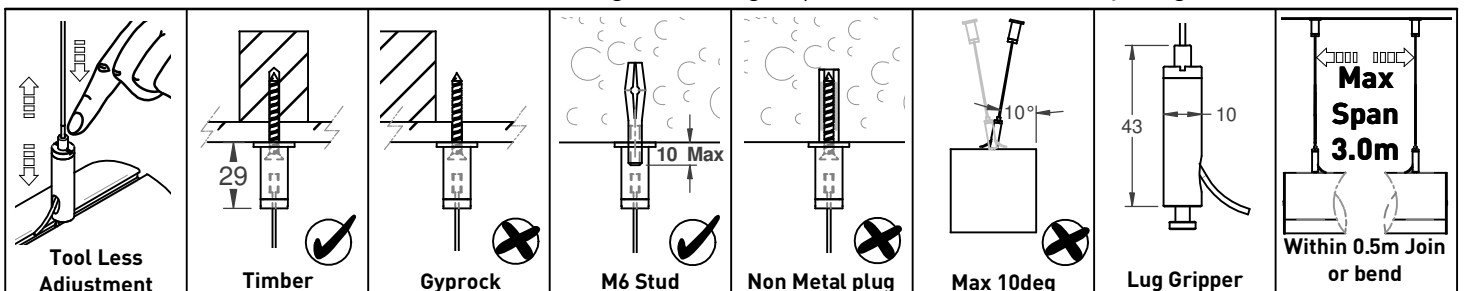


Item #	Title
1	Suspension Ceiling Barrel
2	8G x 38mm C/S self-tapping screw
3	Suspension Ceiling Barrel Cap
4	Suspension Wire (1,2,3,4 & 5mtr)
5	Gripper Sling A
6	Gripper Sling B
7	M5 Pan x 10mm
8	Flatbar 10x3x65mm
9	M5 internal star washer
10	300 Beam body
11	50 Square cover
12	300 Beam Cover
13	300 Beam End Plate
14	8G x 16mm CS (6G Head)

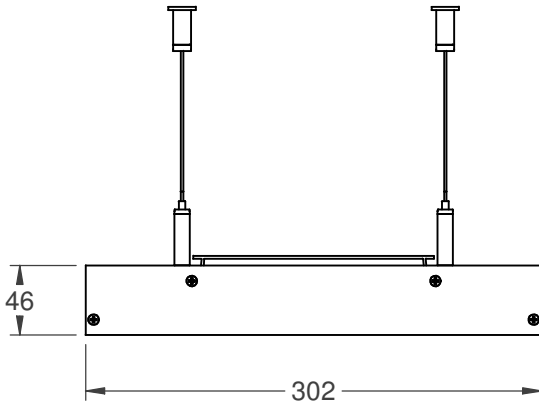


Important

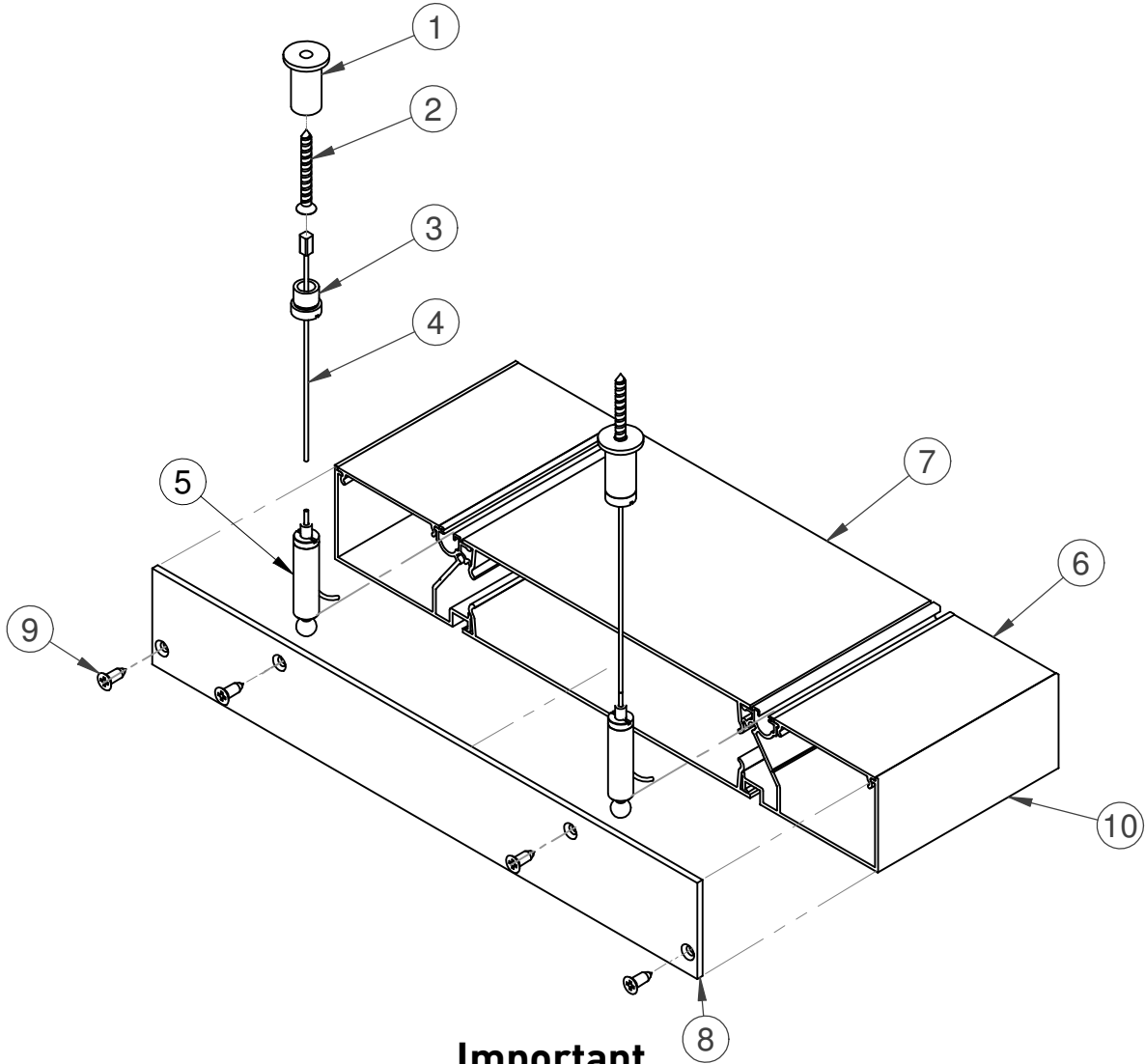
Choosing an appropriate fixing to suit the mounting surface is the responsibility of the installer.
 Note: Remove all labeling masking tape and clean unit as you go.



300 Beam Suspension Twin Wire Instruction



Item #	Title
1	Suspension Ceiling Barrel
2	8G x 38mm C/S self-tapping screw
3	Suspension Ceiling Barrel Cap
4	Suspension Wire (1,2,3,4 & 5mtr)
5	Gripper wire Ball
6	50 Square cover
7	300 Beam Cover
8	300 Beam End Plate
9	8G x 16mm CS (6G Head)
10	300 Beam body



Important

Choosing an appropriate fixing to suit the mounting surface is the responsibility of the installer.
 Note: Remove all labeling masking tape and clean unit as you go.

