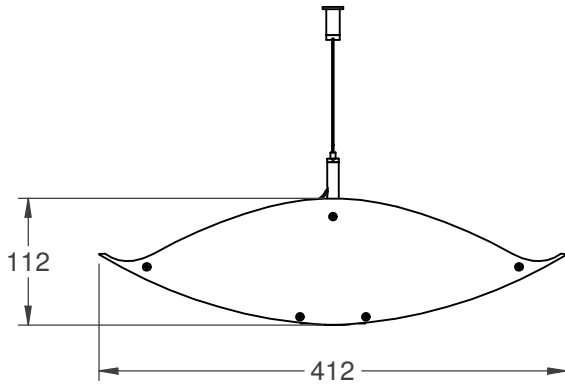
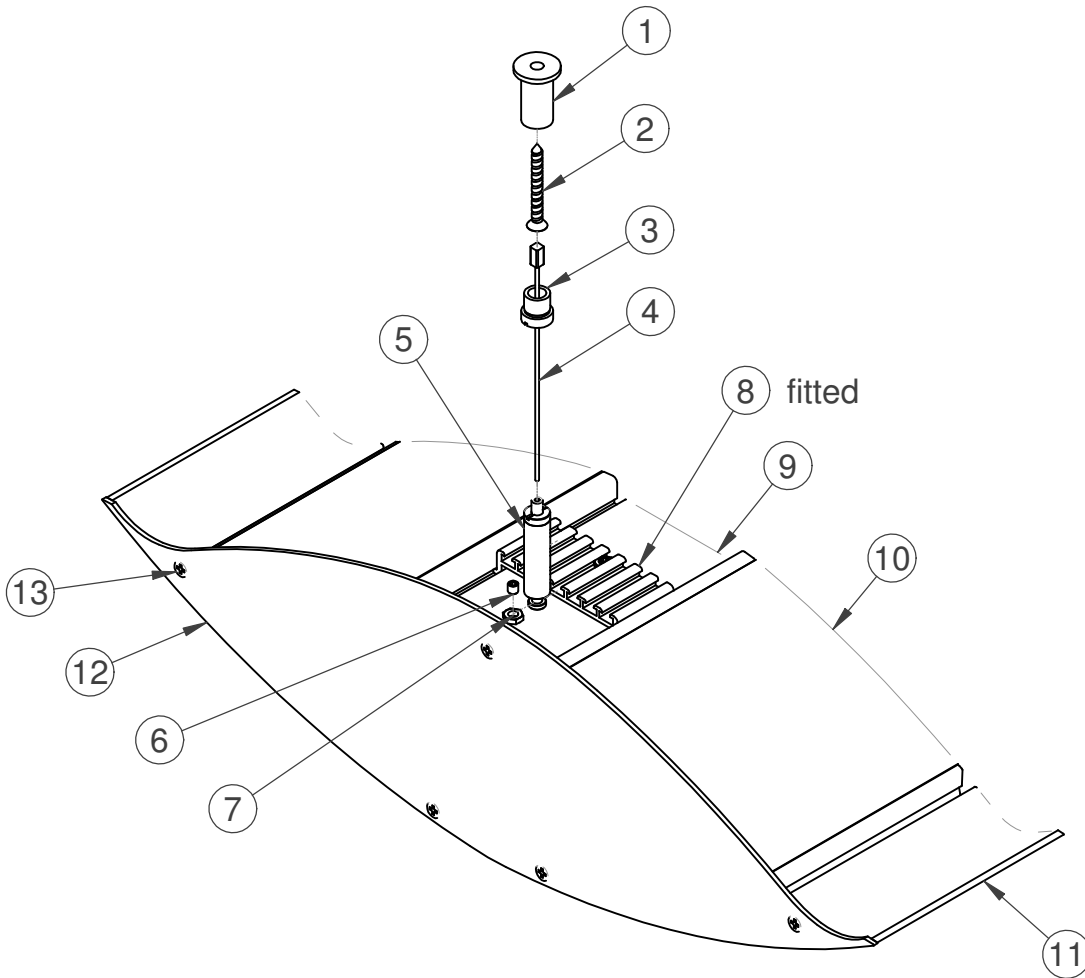


400 Enterprise Suspension Wire Instruction



Item #	Title
1	Suspension Ceiling Barrel
2	8G x 38mm C/S self-tapping screw
3	Suspension Ceiling Barrel Cap
4	Suspension Wire (1,2,3,4 & 5mtr)
5	Gripper Wire Lug
6	M4 x 4mm Grub Screw
7	Hexagon Nut M4
8	Oval Tilt Bracket
9	Stellar 400 Body
10*	Stellar Cover
11	Stellar Wing-master
12	400E End Plate
13	8G x 35mm CS c/w 6G head



Important

Choosing an appropriate fixing to suit the mounting surface is the responsibility of the installer.

Note: Remove all labeling masking tape and clean unit as you go.

