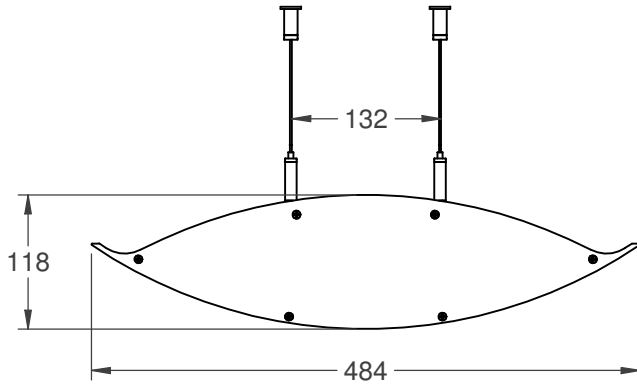
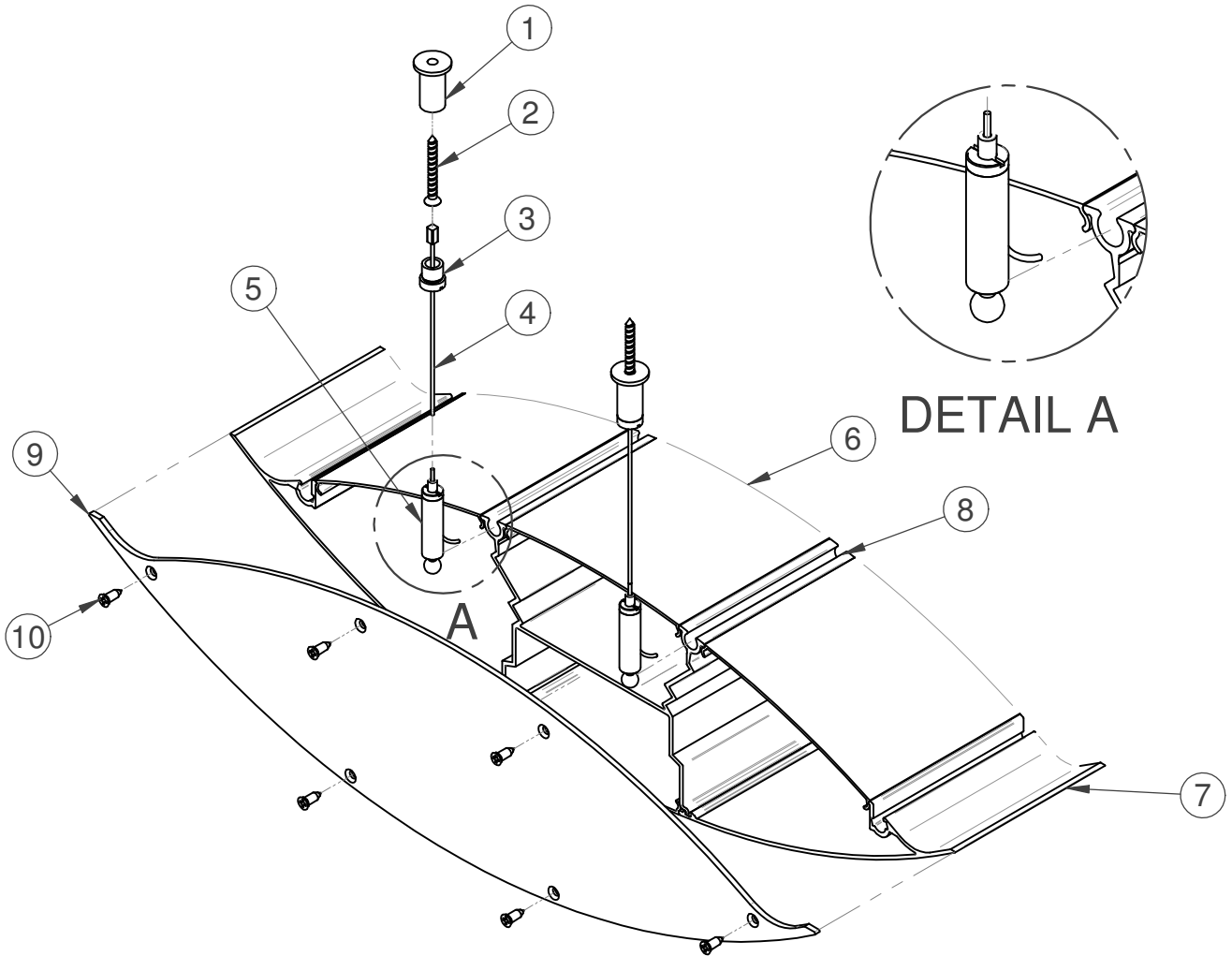


500 Enterprise Suspension Twin Wire Instruction

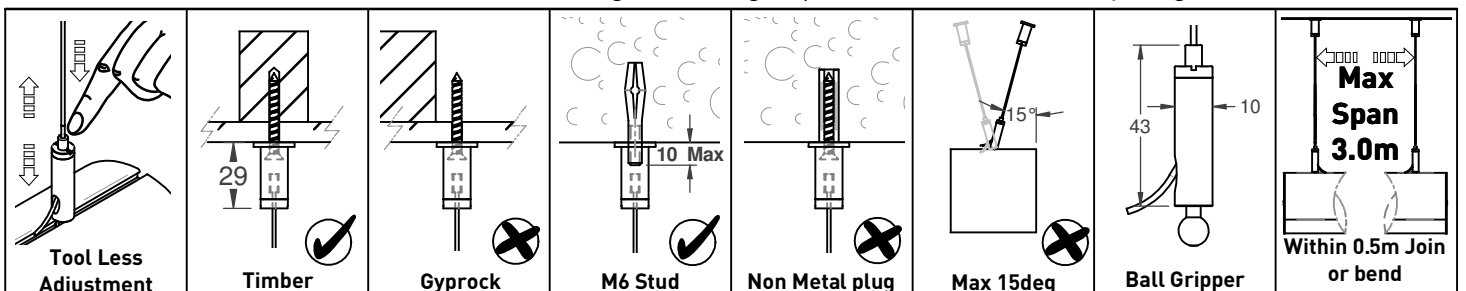


Item #	Title
1	Suspension Ceiling Barrel
2	8G x 38mm C/S self-tapping screw
3	Suspension Ceiling Barrel Cap
4	Suspension Wire (1,2,3,4 & 5mtr)
5	Gripper wire Ball
6	Stellar Cover
7	Stellar Wing-master
8	Stellar 500 Body-master
9	500E End Plate
10	8G x 16mm CS (6G Head)

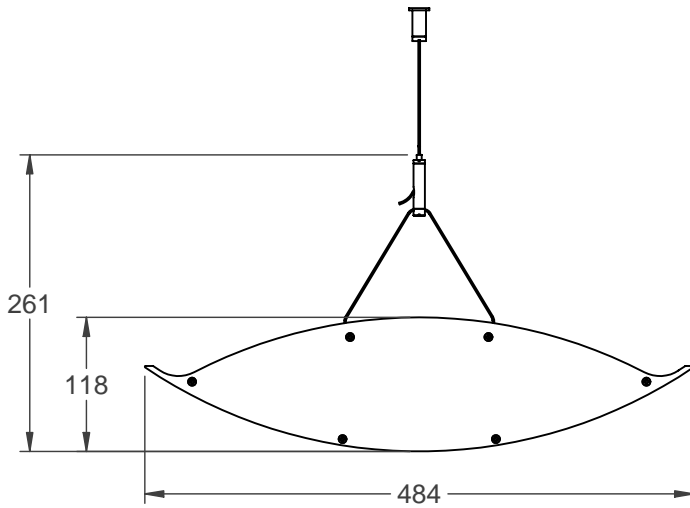


Important

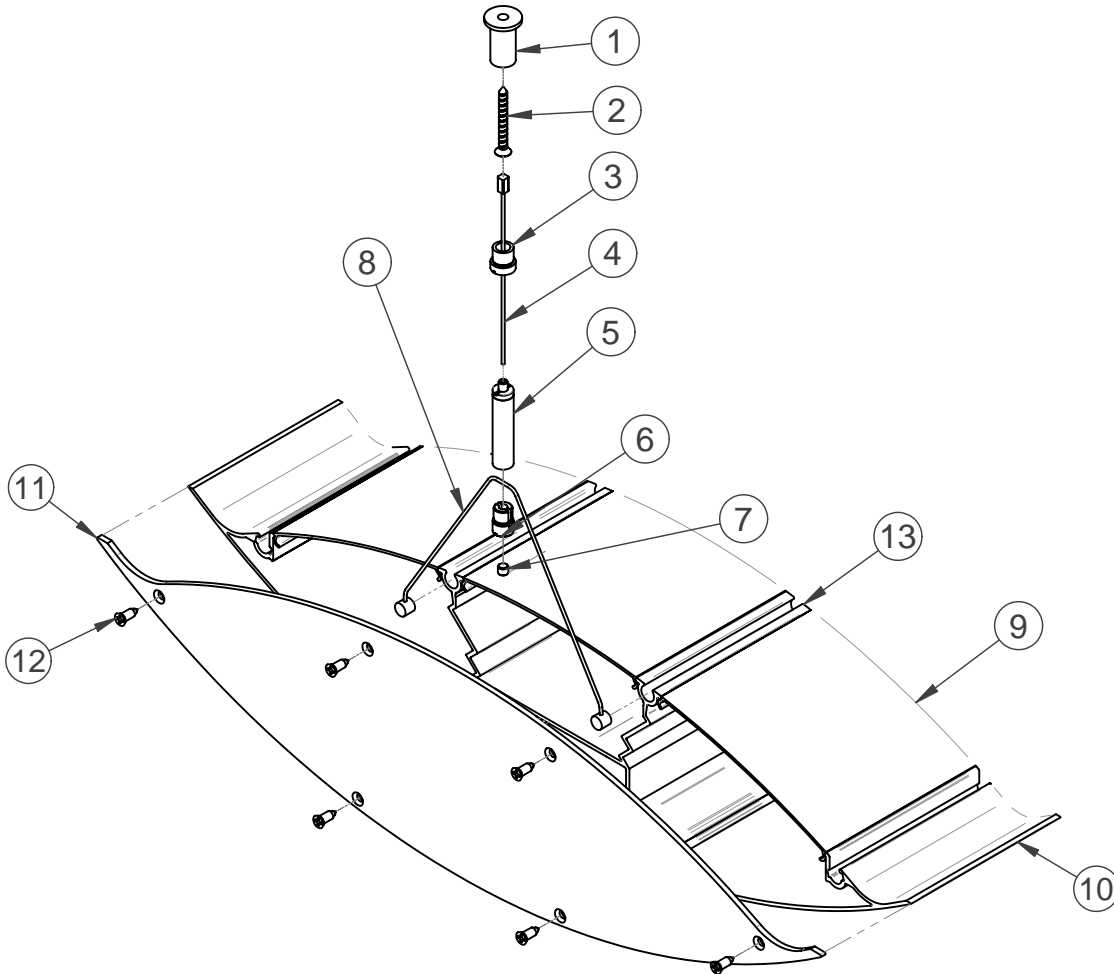
Choosing an appropriate fixing to suit the mounting surface is the responsibility of the installer.
Note: Remove all labeling masking tape and clean unit as you go.



500 Enterprise Suspension Sling Instruction



Item #	Title
1	Suspension Ceiling Barrel
2	8G x 38mm C/S self-tapping screw
3	Suspension Ceiling Barrel Cap
4	Suspension Wire (1,2,3,4 & 5mtr)
5	Gripper Sling A
6	Gripper Sling B
7*	M5x4mm Set Screw
8	Suspension Sling #52474
9	Stellar Cover
10	Stellar Wing-master
11	500E End Plate
12	8G x 16mm CS (6G Head)
13	Stellar 500 Body-master



Important

Choosing an appropriate fixing to suit the mounting surface is the responsibility of the installer.

Note: Remove all labeling masking tape and clean unit as you go.

