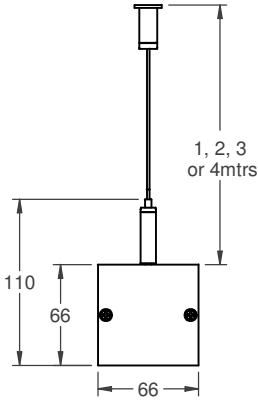
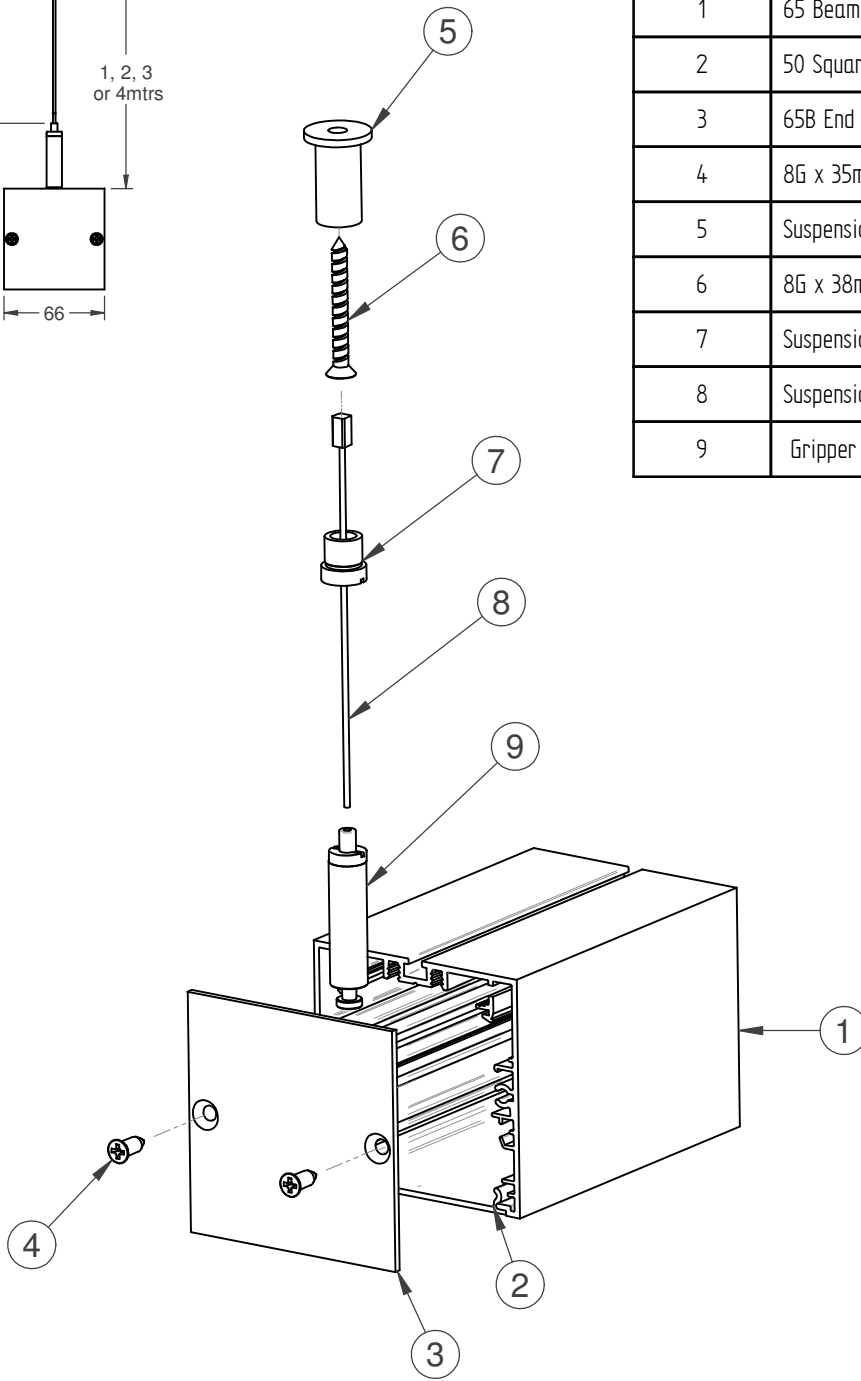


# 65 Beam Suspension Wire Instruction



Item Number	Title
1	65 Beam Body
2	50 Square cover
3	65B End Plate
4	8G x 35mm CS c/w 6G head
5	Suspension Ceiling Barrel
6	8G x 38mm C/S self-tapping screw
7	Suspension Ceiling Barrel Cap
8	Suspension Wire (1,2,3,4 & 5mtr)
9	Gripper Wire Lug



## Important

Choosing an appropriate fixing to suit the mounting surface is the responsibility of the installer.  
 Note: Remove all labeling masking tape and clean unit as you go.

