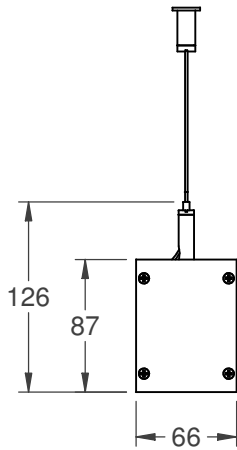
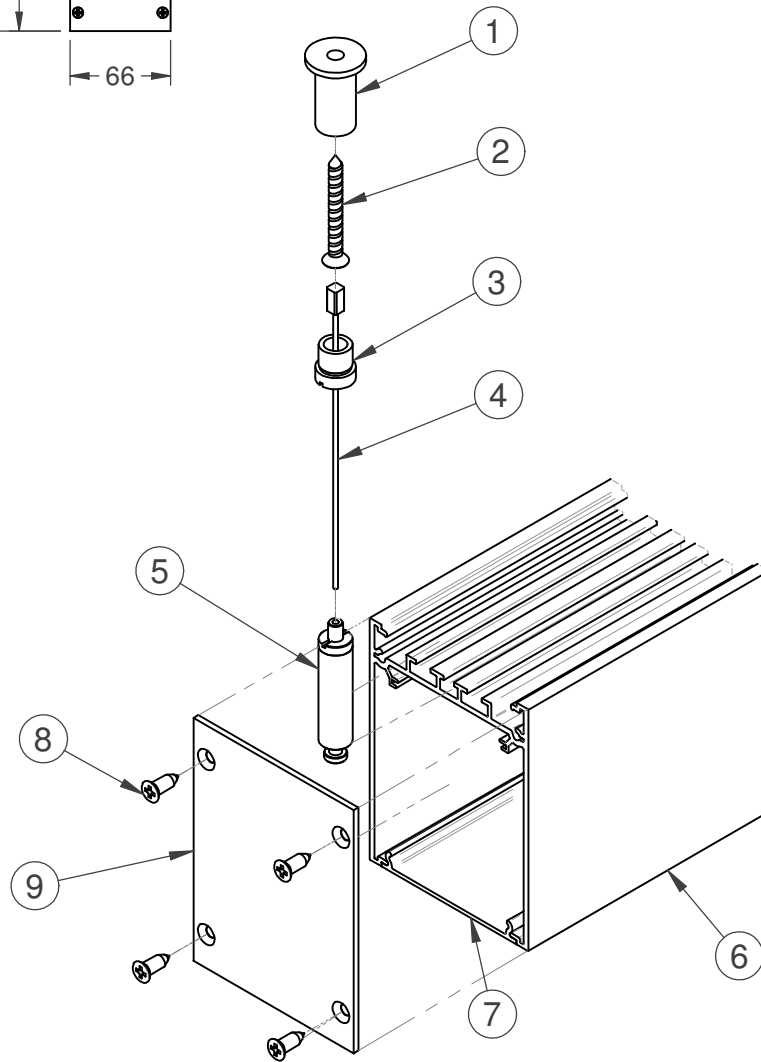


85 Beam Suspension Wire Instruction

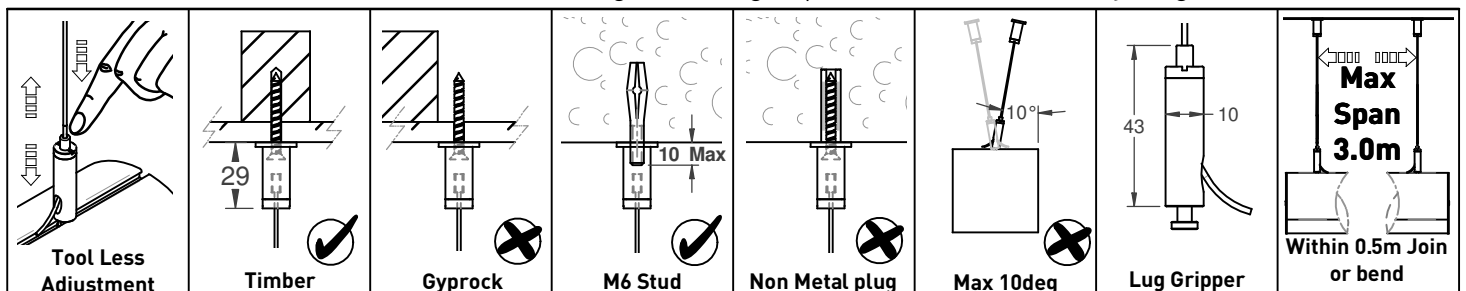


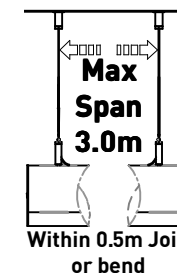
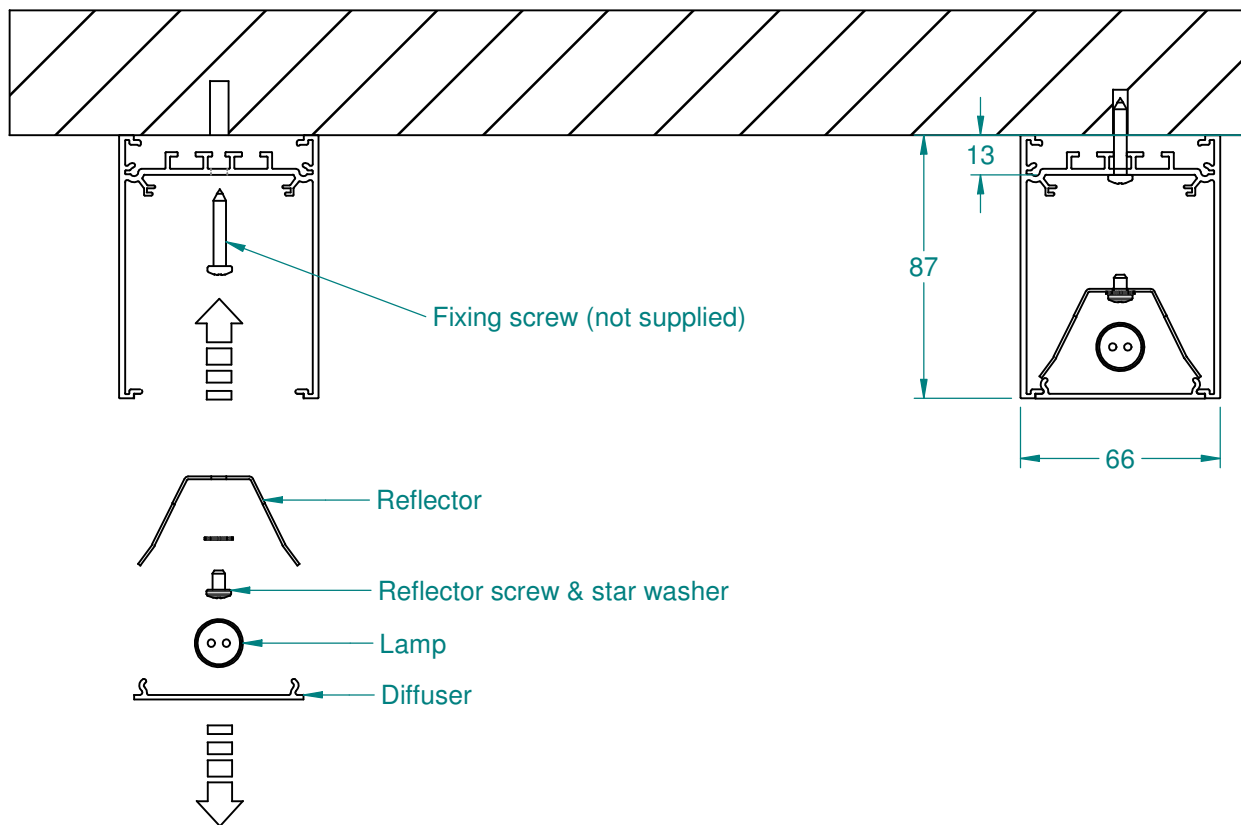
Item #	Title
1	Suspension Ceiling Barrel
2	8G x 38mm C/S self-tapping screw
3	Suspension Ceiling Barrel Cap
4	Suspension Wire (1,2,3,4 & 5mtr)
5	Gripper Wire Lug
6	85 Beam
7	50 Square cover
8	8G x 35mm CS c/w 6G head
9*	85 Beam End Plate



Important

Choosing an appropriate fixing to suit the mounting surface is the responsibility of the installer.
 Note: Remove all labeling masking tape and clean unit as you go.





Important

Choosing an appropriate fixing to suit the mounting surface is the responsibility of the installer.

				DWG No: 10305-03		SYSTEM		Unit 11/16 Cross St. Brookvale NSW P.O. Box W388 Warringah Mall 2100 Ph: 02 9938 5333 Fx:02 9905 3854		KLIKsystemsaustralia pty limited	
A 12/06/07 PR Original Drawing				PART NAME: 85B-Surface mount		85B		www.kliksystems.com.au - info@kliksystems.com.au			
REV	DATE	BY	DESCRIPTION	Material		JOB REF:		Projection		DO NOT SCALE DRAWING	
Copyright strictly reserved. The design and technical information as detailed on this drawing or document is the express property of Klik Systems Australia Pty. Limited and must not be reproduced, copied or communicated without obtaining the permission of Klik Systems Australia Pty. Limited .				Finish		STOCK ITEM No:		Drawn By: Paul		Date: 06/02/08	
						FILE NAME: 10305-Recessed ceiling mount brk.dft		Page: 3 OF 3		Scale: 1:2.5	
								Size: A4			