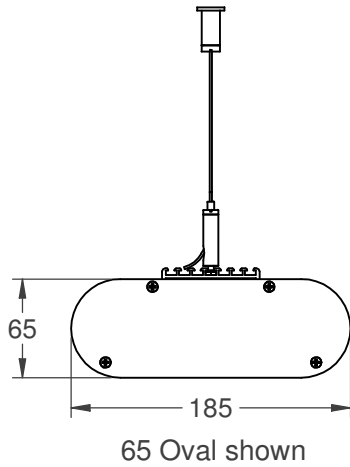
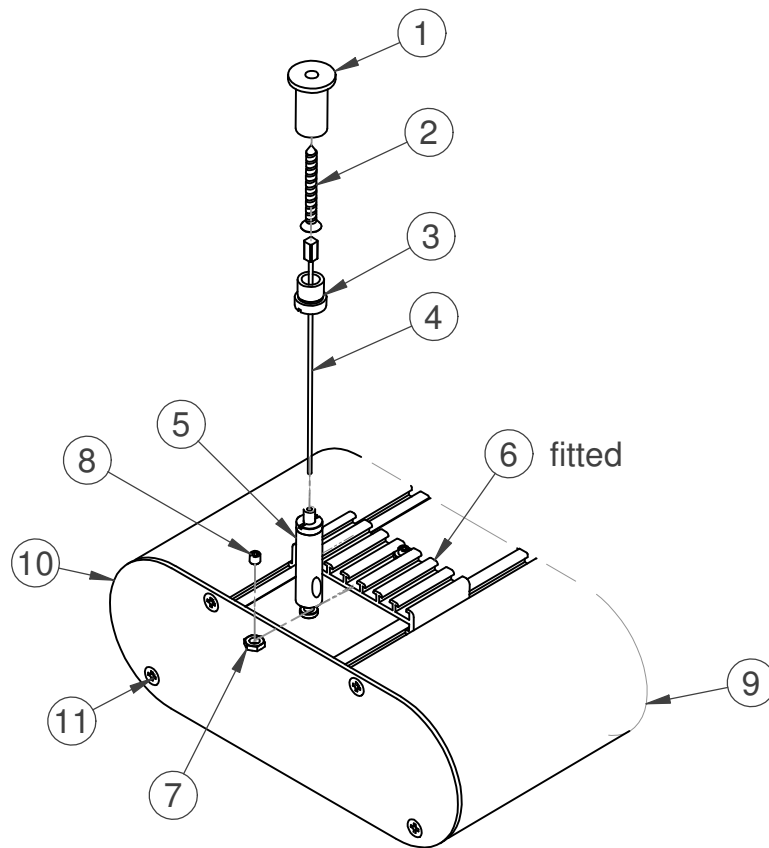


# Oval Series Suspension Wire Instruction



Item #	Title
1	Suspension Ceiling Barrel
2	8G x 38mm C/S self-tapping screw
3	Suspension Ceiling Barrel Cap
4	Suspension Wire (1,2,3,4 & 5mtr)
5	Gripper Wire Lug
6	Oval Tilt Bracket
7	Hexagon Nut M4
8*	M4 x 4mm Grub Screw
9	65 Oval body
10	65 Oval End Plate
11	8G x 16mm CS (6G Head)



## Important

Choosing an appropriate fixing to suit the mounting surface is the responsibility of the installer.

Note: Remove all labeling masking tape and clean unit as you go.

