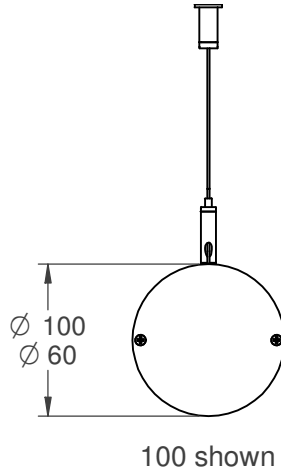
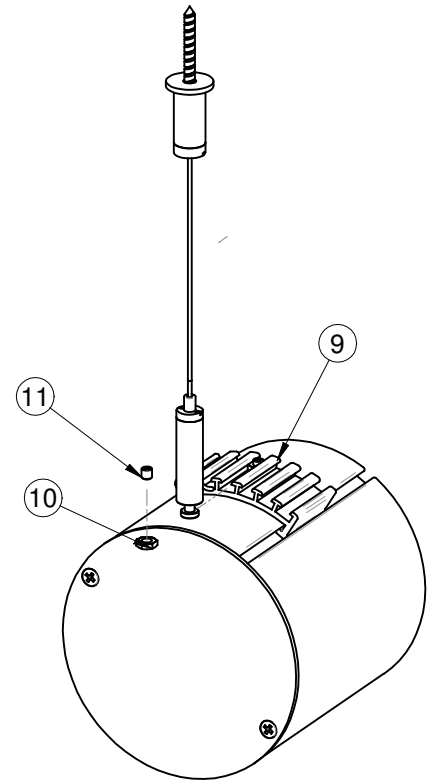
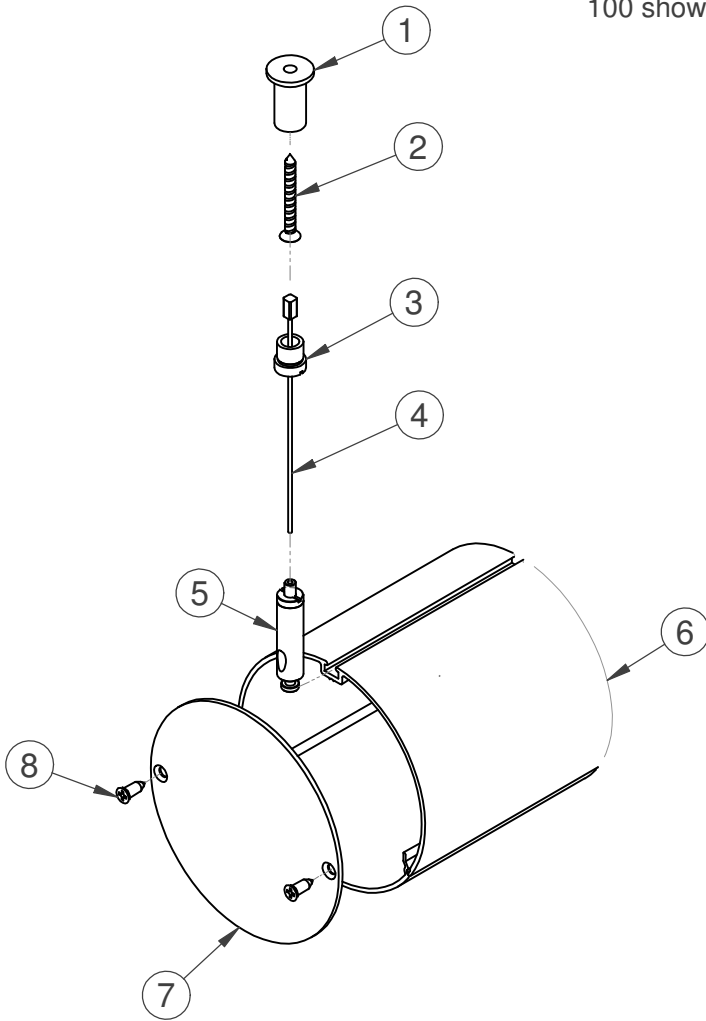


# Round Series Suspension Wire Instruction



| Item # | Title                            |
|--------|----------------------------------|
| 1      | Suspension Ceiling Barrel        |
| 2      | 8G x 38mm C/S self-tapping screw |
| 3      | Suspension Ceiling Barrel Cap    |
| 4*     | Suspension Wire (1,2,3,4 & 5mtr) |
| 5      | Gripper Wire Lug                 |
| 6      | 100 Round body                   |
| 7      | 100 Round End Plate              |
| 8      | 8G x 16mm CS (6G Head)           |

| Item # | Title             |
|--------|-------------------|
| 9      | 100R Tilt bracket |
| 10     | Hexagon Nut M4    |
| 11     | grub screw m4     |

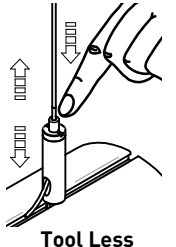
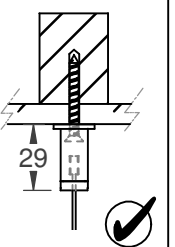
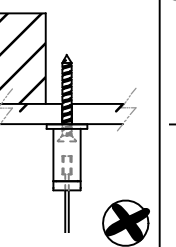
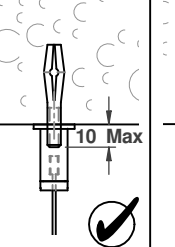
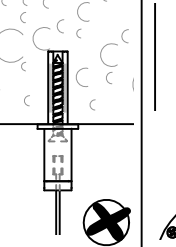
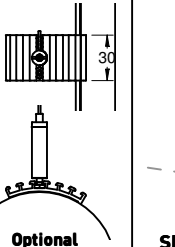
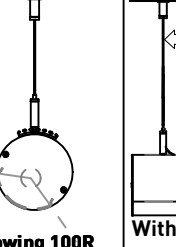
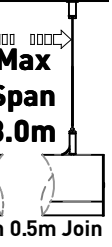


Optional Tilt Bracket

## Important

Choosing an appropriate fixing to suit the mounting surface is the responsibility of the installer.

Note: Remove all labeling masking tape and clean unit as you go.

|  |   |  |  |  |  |  |   |
|--|---|--|--|--|--|--|---|
|  <p>Tool Less Adjustment</p> |  <p>Timber</p> |  <p>Gyprock</p> |  <p>M6 Stud</p> |  <p>Non Metal plug</p> |  <p>Optional Tilt Bracket</p> |  <p>Showing 100R Tilted</p> |  <p>Max Span 3.0m<br/>Within 0.5m Join or bend</p> |
|--|---|--|--|--|--|--|---|